



Series 02: DN40 and DN50



Series 01: DN 65...150

Three-port slipper valves PN6

VBF21..

Three-port slipper valves, PN6, flanged

- Grey cast iron EN-GJL-250
- DN 40...150
- k_{vs} 25...820 m³/h
- Angle of rotation 90°
- Flange fittings to ISO 7005
- Manual adjuster for DN40 and DN50 slipper valves
- Can be fitted with type SQK.. or SAL..T10 electromotoric actuators
- No maintenance required

Use

For use in closed-circuit heating systems and mixing applications.

Type summary

Type	DN	k_{vs} [m ³ /h]	SQK.. ²⁾ Δp_{max} [kPa]	SAL..T10
VBF21.40 ¹⁾	40	25	30	30
VBF21.50 ¹⁾	50	40		
VBF21.65	65	63		
VBF21.80	80	100		
VBF21.100	100	160		
VBF21.125	125	550		
VBF21.150	150	820		

DN = Nominal size



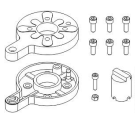
k_{vs} = Nominal flow rate of cold water (5...30 °C) through the fully open slipper valve by a differential pressure of 100 kPa (1 bar)

Δp_{max} = Maximum permissible differential pressure across the slipper valve's control path, valid for the entire actuating range of the motorized slipper valve

¹⁾ Series with manual adjuster

²⁾ from 2019: only while stock lasts

Accessories

Type	Description
ASK31N 	The ASK31N mounting kit consists of two mounting set parts, screws, adapter including fixing screw and adapter. For VBF21..., DN65...150 Series 01. Mounting instructions are enclosed with the kit.
ASK32 ²⁾ 	The ASK32 mounting kit consists of a console and screw(s). For VBF21..., DN40...50 Series 02. Mounting instructions are enclosed with the kit.
ASK32N 	The ASK32N mounting kit consists of two mounting set parts, screws and adapter including fixing screw. For VBF21..., DN40...50 Series 01. Mounting instructions are enclosed with the kit.

²⁾ from 2019: only while stock lasts

Ordering

The slipper valve, actuator and mounting kit, if required, must be ordered separately. When ordering, please specify the quantity, product name and type code.

Example: **1 3-port slipper valve type VBF21.65**
1 actuator type SAL31.00T10 and
1 mounting kit, type ASK31N

Delivery

The slipper valve, actuator and mounting kit are packed separately.

Spare parts

See overview, section „Spare parts“, page 7

Equipment combinations

Type	Actuators SQK34.. ¹⁾ , SQK84.. ¹⁾	SQK33.. ¹⁾	SAL..T10
VBF21.40	direct mounting	ASK32 ¹⁾	ASK32N
VBF21.50			
VBF21.65			ASK31N
VBF21.80			
VBF21.100			
VBF21.125			
VBF21.150			

¹⁾ from 2019: only while stock lasts

Type	Actuator type	Operating voltage	Positioning signal	Positioning time for 90°	Torque	Data sheet
SQK33.00 ^{1) 2)}	Electro-motoric	AC 230 V	3-position	125 s	5 Nm	N4506
SQK34.00 ^{1) 3) 5)}				135 s		N4508
SAL31.00T10 ⁴⁾				120 s	10 Nm	N4502
SAL31.03T10 ⁴⁾		30 s				
SAL61.00T10 ⁴⁾		AC / DC24 V	DC 0..10 V	120 s		
SAL61.03T10 ⁴⁾				30 s		
SAL81.00T10 ⁴⁾		3-position	120 s			
SAL81.03T10 ⁴⁾			30 s			
SQK84.00 ^{1) 3) 5)}		AC 24 V		135 s	5 Nm	N4508

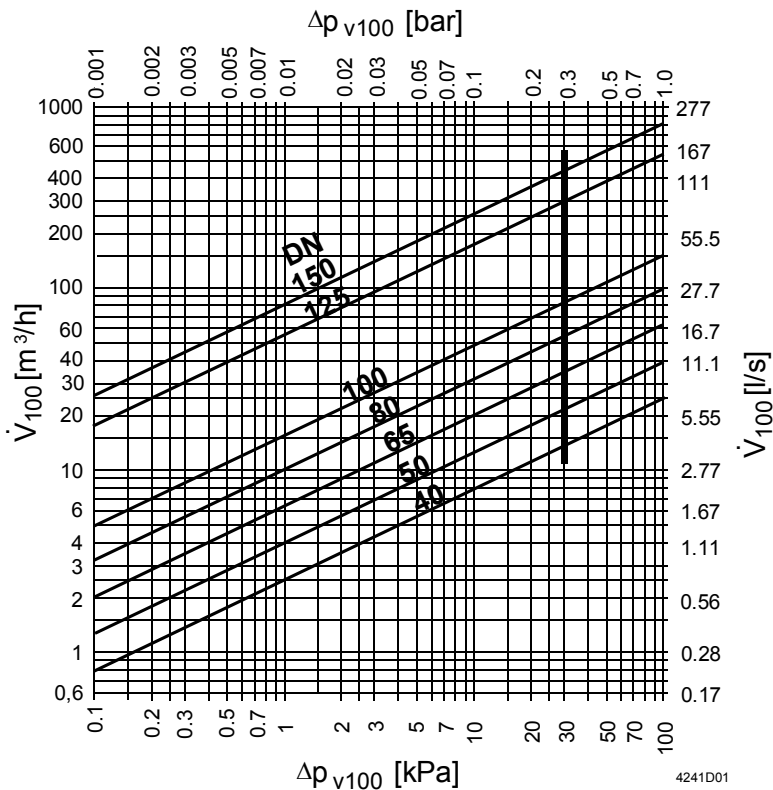
- 1) ab 2019: nur solange Vorrat
 SQK33.00 ASC9.5
 SQK34.00 ASC9.7
 SQK84.00
- 2) Can be fitted with 1 auxiliary switch, type ASC9.5
- 3) Can be fitted with 1 auxiliary switch, type ASC9.7
- 4) Can be fitted with 1 auxiliary switch, type ASC10.51 or 2 auxiliary switches, type ASC10.51 or 1 potentiometer ASZ7.5/.. and 1 auxiliary switch, type ASC10.51
- 5) For direct mounting on slipper valve types VBF21.40 and VBF21.50 (without mounting kit)

Technical design / mechanical design

Application Boiler flow from the right or left. The manual adjuster (DN 40 and DN 50), scale plate and valve slipper can be re-positioned to suit the application

Sizing

Flow diagram



- Δp_{max} = Maximum permissible differential pressure across the slipper valve's control path, valid for the entire actuating range of the motorized slipper valve
- Δp_{v100} = Differential pressure across the fully open slipper valve by a volume flow \dot{V}_{100}
- \dot{V}_{100} = Volumetric flow through the fully open slipper valve
- 100 kPa = 1 bar \approx 10 mWC
- 1 m³/h = 0.278 l/s water at 20 °C

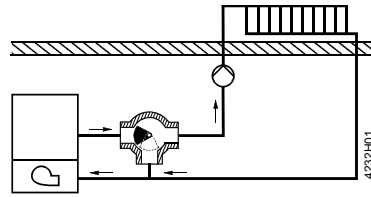
Notes

Engineering

Use the VBF21.. in mixing applications.
 In systems where oxygen can enter the hydraulic system, there is an increased risk of corrosion which can cause the valve slipper to seize.

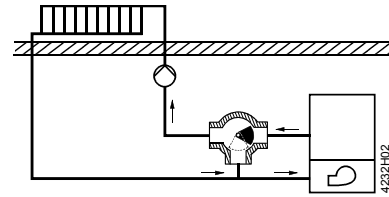
Mounting variants

Boiler flow from left



Factory setting

Boiler flow from right



Re-position the valve slipper, scale plate and manual adjuster (DN 40 and DN 50), as described in the mounting instructions.

Mounting

The slipper valves are easy to assemble directly on site.
 The slipper valve, actuator and mounting kit (with mounting instruction) are packed separately.

Mounting instructions for O-Ring replacement: M4241

Accessory	Mounting instruction	
ASK31N	M4502.1	74 319 0739 0
ASK32 ¹⁾	M4290.2	4 319 5597 0
ASK32N	A6V11558817	A5W00057302

¹⁾ ab 2019: nur solange Vorrat

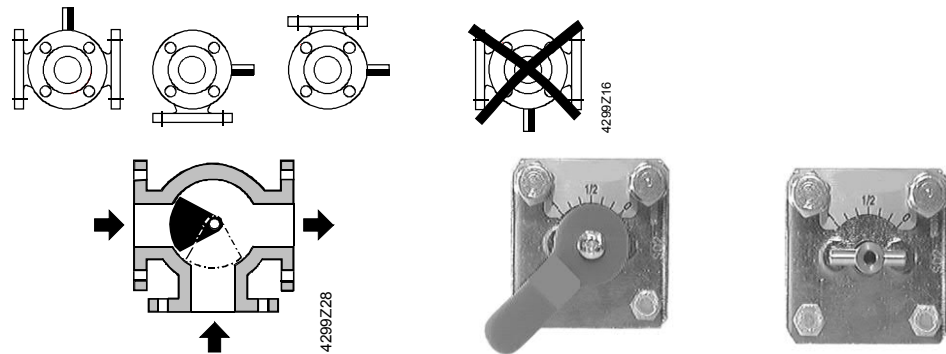
DN 40 and DN 50

Two special screws are provided in the housing cover to fix the ASK32 mounting kit and the scale plate for position indication. The ASK32N kit contain all the components required for assembly.

DN 65...150

The ASK31N kit contain all the components required for assembly.

Orientation



Factory setting

Slipper positioned for "boiler flow from left".

- Anti-clockwise rotation: opening
- Clockwise rotation: closing.

Manual adjuster for DN40 / DN50 with scale plate

position indicator and yellow color marking for position of slipper
 Position indicator at "0" = boiler flow path fully closed.

Commissioning

When commissioning the slipper valve, ensure that the position and rotation of the valve slipper are appropriate for the system concerned (see "Engineering").

The position of the valve slipper is indicated as follows:

- DN 40 and DN 50 slipper valves: by the manual adjuster and scale plate and by the yellow color marking on the pin in the slipper valve shaft
- DN 65...150 slipper valves: by a red plastic marker (part of the mounting kit) which is fitted to the slipper valve shaft.

Maintenance



Before performing any service work on the slipper valve, actuator or mounting kit:

- switch OFF the pump and power supply
- close the main shut-off valve in the pipework
- release pressure in the pipes and allow them to cool down completely.
- If necessary, disconnect electrical connections from terminals.

The slipper valve can be commissioned with the manual adjuster fitted, or with a correctly fitted actuator.

Disposal

Do not dispose of the device as household waste.

- Special handling of individual components may be mandated by law or make ecological sense.
- Observe all local and currently applicable laws and regulations.

Warranty

The technical data given for these applications is valid only in conjunction with the Siemens actuators as detailed under «Equipment combinations».

All terms of the warranty will be invalidated by the use of actuators from other manufacturers.

Technical data

Functional data	PN class	PN 6 to ISO 7268	
	Working pressure	max. 600 kPa (6 bar) to ISO 7005 within the permissible medium temperature range	
	Flow characteristic	through-port linear bypass linear	
	Leakage rate	DN 40...100 0 ... 0,1 % of k_{vs} -value DN 125...150 0 ... 0,5 % of k_{vs} - value	
	Permissible media	low temperature hot water, water with anti-freeze; Recommendation: water treatment to VDI 2035	
	Medium temperature	1...120 °C	
	Angle of rotation	90°	
	Standards, directives and approvals	Pressure Equipment Directive Pressure-carrying accessories	PED 2014/68/EU Scope: Article 1, section 1 Definitions: Article 2, section 5
		Fluid group 2	DN 40...125 Without CE certification as per article 4, section 3 (sound engineering practice) ¹⁾ DN 150 Category I, Modul A, with CE-marking as per article 14, section 2
EU conformity (CE)		DN 150 A5W00006521 ²⁾	
EAC Conformity		Eurasia Conformity	
Environmental compatibility		The product environmental declarations CE1E4241en ²⁾ contains data on Environmentally compatible product design and assessments (RoHS compliance, Materials composition, packaging, environmental benefit, disposal).	
Materials	Slipper valve body	Grey cast iron EN-GJL-250	
	Shaft	stainless steel	
	Slipper	DN 40...100 brass DN 125...150 bronze	
	O-rings	EPDM	
	Manual adjuster	Plastic	
	Scale plate for position indication	Aluminum	
Dimensions / weight	see «Dimensions»		
	Flange connections	to ISO 7005	

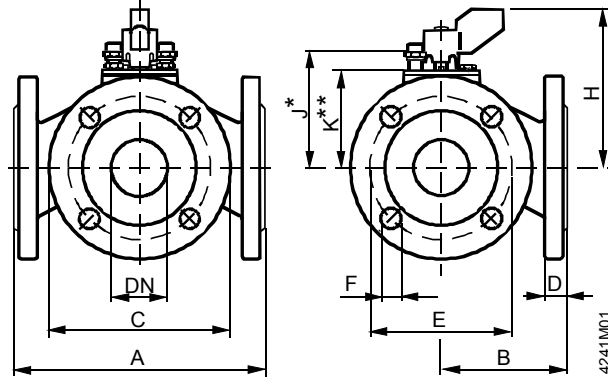
¹⁾ Valves where $PS \times DN < 1000$, do not require special testing and cannot carry the CE label.

²⁾ The documents can be downloaded from <http://siemens.com/bt/download>

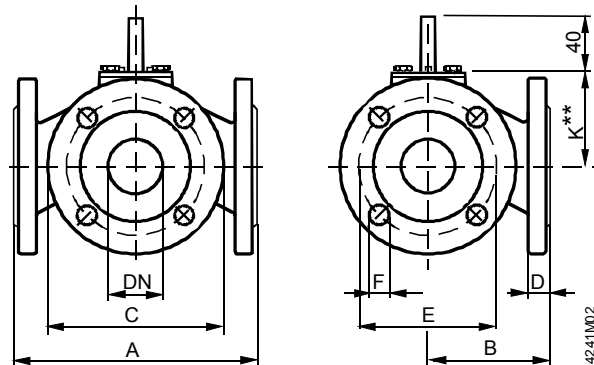
Dimensions

All dimensions in mm

VBF21.40 / VBF21.50 (with manual adjuster)



VBF21.65 .. VBF21.150 (without manual adjuster)



Type	DN	A	B	C	D	E	F	H	J *	K **			Weight [kg]
										ASK32	ASK31N	ASK32N	
VBF21.40	40	180	90	130	16	100	14 (4x)	96	68	56		56	6.0
VBF21.50	50	180	90	140	16	110	14 (4x)	103	75	63		63	6.5
VBF21.65	65	200	100	160	16	130	14 (4x)				43		9.5
VBF21.80	80	230	115	190	18	150	19 (4x)				52		14.5
VBF21.100	100	260	130	210	18	170	19 (4x)				68		18.3
VBF21.125	125	320	160	240	20	200	19 (8x)				129		36.0
VBF21.150	150	350	175	265	20	225	19 (8x)				144		45.3

DN = Nominal size

J* = Installation height for actuators SQK34.00 or SQK84 (without mounting kit)

K** = Installation height for type SQK33.00 actuators with mounting kit ASK32, and SAL..T10 with mounting kit ASK31N or ASK32N

Overall height of slipper valve and actuator

- = Installation height of three-port slipper valve
- + Installation height of mounting kit (if needed)
- + Installation height of actuator
- + Minimum clearance (> 200 mm) from ceiling or wall for mounting, connection, operation, service etc.

Spare parts

Order numbers for spare parts

	manual adjuster
	
3-port slipper valve	
VBF21.40	
VBF21.50	7467601750
VBF21.65	
VBF21.80	
VBF21.100	
VBF21.125	
VBF21.150	

Issued by
Siemens Switzerland Ltd
Building Technologies Division
International Headquarters
Gubelstrasse 22
6301 Zug
Switzerland
Tel. +41 41-724 24 24
www.siemens.com/buildingtechnologies

© Siemens Switzerland Ltd, 2011

Technical specifications and availability subject to change without notice.